

# WEATHERLINE®

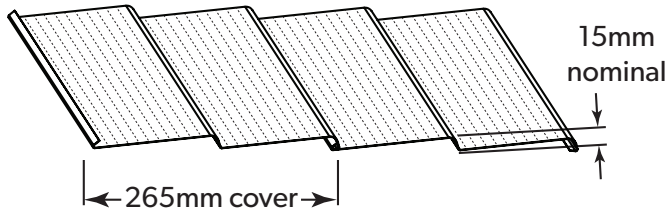
INSTALLATION GUIDE

# LYSAGHT



# LYSAGHT WEATHERLINE®

WEATHERLINE® is an attractive and durable interlocking steel panel system with concealed fixings. Made from COLORBOND® steel with a wide range of accessory items. WEATHERLINE® is fixed horizontally on walls in internal or external locations.



## MATERIAL SPECIFICATIONS

The base metal thickness is 0.42mm. The COLORBOND® pre-painted steel complies with AS/NZS 2728:2013.

## COLOURS

WEATHERLINE® is available in an attractive range of standard COLORBOND® steel colours.

## LENGTHS

Sheets are supplied custom cut from 500mm up to 7000mm in length. Refer to your local Service Centre for availability.

## TOLERANCES

Length: + 2mm, - 2mm.

## ADVERSE CONDITIONS

If this product is to be used in marine, severe industrial, or usually corrosive environments, ask for advice from our information line.

## MAINTENANCE

Optimum product life will be achieved if all external surfaces are washed regularly. Areas not cleaned by natural rainfall (such as the tops of walls sheltered by eaves) should be washed down every six months.

## SAFETY, STORAGE AND HANDLING

Handling Safety - LYSAGHT® product may be sharp and heavy.

It is recommended that heavy-duty cut resistant gloves and appropriate manual handling techniques or a lifting plan be used when handling material.

Keep the product dry and clear of the ground. If stacked or bundled product becomes wet, separate it, wipe it with a clean cloth to dry thoroughly.

Handle materials carefully to avoid damage: don't drag materials over rough surfaces or each other; don't drag tools over material; protect from swarf.

## METAL & TIMBER COMPATIBILITY

Lead, copper, bare steel and green or some chemically-treated timbers are not compatible with this product; thus don't allow any contact of the product with those materials, nor discharge of rainwater from them onto the product. If there are doubts about the compatibility of products being used, ask for advice from our information line.

## CUTTING

For cutting thin metal on site, we recommend a circular saw with a metal-cutting blade because it produces fewer damaging hot metal particles and leaves less resultant burr than a carborundum disc. Cut materials over the ground and not over other materials. Sweep all metallic swarf and other debris from roof areas and gutters at the end of each day and at the completion of the installation. Failure to do so can lead to surface staining when the metal particles rust.

## SEALED JOINTS

For sealed joints use screws or rivets and neutral-cure silicone sealant branded as suitable for use with galvanised or ZINCALUME® steel.

## SIMPLE, LOW-COST FIXING

Long, straight lengths of WEATHERLINE® can be easily installed with fixing clips, being simple and fast.

## FIXING DETAILS

WEATHERLINE® shall be fixed in accordance with the details shown in the table.

Wind Classification	Clip/Strip	Support Spacing (mm)	Steel Support Fixing		Timber Support Fixing
			Grade, BMT	Fastener	Timber type & Fastener
AS 4055-2012					
Non-cyclonic up to N3	Clip	600	G550, 0.55	#10-16x16 HH Teks®	Softwood or Hardwood use Batten Zips® HH 12-11x40
Non-cyclonic up to N4	Strip 0.55mm BMT	600	G550, 0.75	#10-16x16 HH Teks®	
Cyclonic up to C2	Strip 1.0mm BMT	600	G550, 1.0	#10-16x16 HH Teks®	Softwood use Batten Zips® HH 12-11x40  Hardwood use #12-11x25 HH Type 17
Cyclonic up to C2	Strip 1.0mm BMT	450	G550, 0.75	#10-16x16 HH Teks®	



# INSTALLATION

## SHEET INSTALLATION

1. Working from the bottom of the wall, use fixing clip/strip for the first sheet at the bottom edge. Fix with 10-16x16 hex. head metal Tek® screws for fixing to steel supports, Batten Zips® 12-11x40 for timber supports. Fixing shall occur at every support location. NOTE: Foot mouldings may be required in some applications.
2. Hook the first sheet at the first clip/strip at the bottom edge and secure the top edge of the sheet with fixing clip/strip at each support.
3. Hook the second sheet onto the top of first sheet and fix to support with fixing clip/strip at each support.
4. Repeat step 3 until completed.

## STRIP INSTALLATION

Fixing Strips are butted end-to-end. The butt ends must be at a support and a screw into each end of the strip. The fixing screw must not be less than 10mm from the end of the strip.

The fixing screw must be centrally positioned in the flat of the strip.

## GENERAL

For sheets fixed in external applications where sealing is required, seal with suitable sealant.

Fix flashings as required.

Flashing accessories shown are indicative only and can be manufactured to installers requirements. Please contact your local Lysaght Sales Office for availability of mouldings and flashings.

## EXAMPLES OF FLASHING/ MOULDING SHAPES

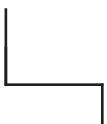
Cap



Foot mould



Top window flashing



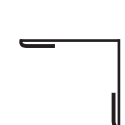
Window sill mould



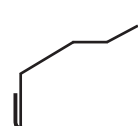
Internal corner mould



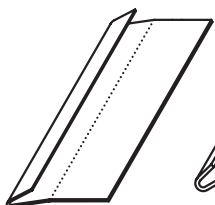
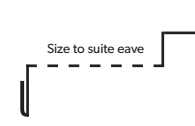
External corner mould



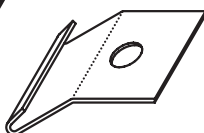
Eave mould



Alternative eave mould

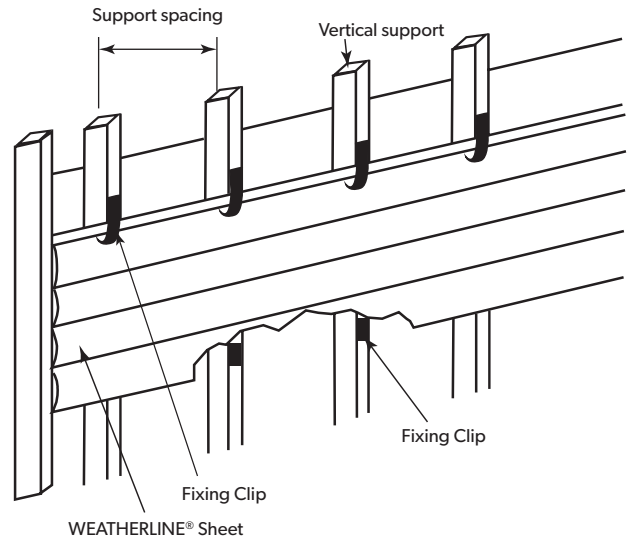


Fixing Strip

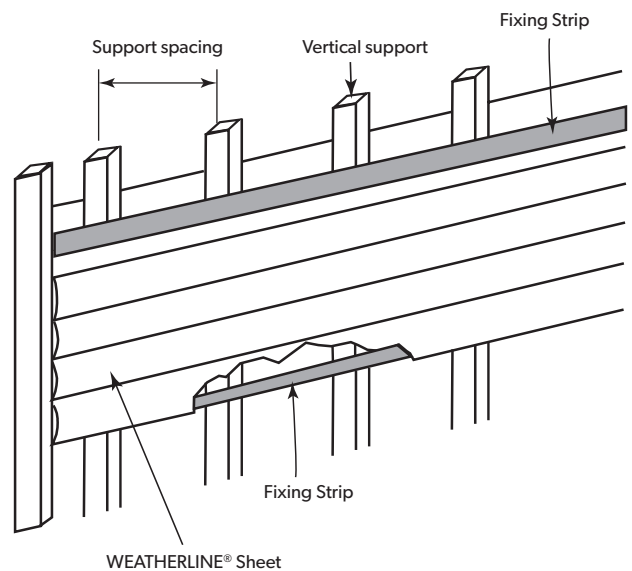


Fixing Clip

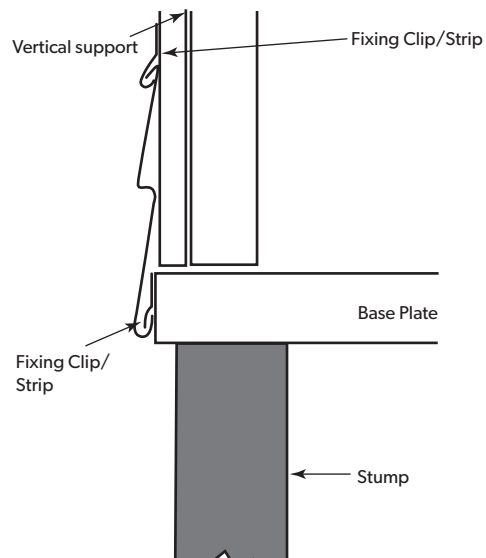
## Fixing Clip Installation Method



## Fixing Strip Installation Method



## Hidden Fixing



## PRODUCT DESCRIPTIONS

- All descriptions, specifications, illustrations, drawings, data, dimensions and weights contained in this catalogue, all technical literature and websites containing information from Lysaght are approximations only. They are intended by Lysaght to be a general description for information and identification purposes and do not create a sale by description. Lysaght reserves the right at any time to:

- (a) supply Goods with such minor modifications from its drawings and specifications as it sees fit; and
- (b) alter specifications shown in its promotional literature to reflect changes made after the date of such publication.

## DISCLAIMER, WARRANTIES AND LIMITATION OF LIABILITY

- This publication is intended to be an aid for all trades and professionals involved with specifying and installing Lysaght products and not to be a substitute for professional judgement.
- Terms and conditions of sale available at local Lysaght sales offices.
- Except to the extent to which liability may not lawfully be excluded or limited, BlueScope Steel Limited will not be under or incur any liability to you for any direct or indirect loss or damage (including, without limitation, consequential loss or damage such as loss of profit or anticipated profit, loss of use, damage to goodwill and loss due to delay) however caused (including, without limitation, breach of contract, negligence and/or breach of statute), which you may suffer or incur in connection with this publication.
- Please note that all flat pan profiles including WEATHERLINE® can exhibit signs of oil canning under certain light conditions which can potentially be seen in the finish of the product. While this appearance can differ for all colours, it is typically more visible in darker colours. Oil canning is not a structural defect but simply an aesthetic issue. Designers should take this aspect into account upon selection and need to make a professional judgement on the profile suitability for the particular application. Please consult with Lysaght technical team for any additional advice.

© Copyright BlueScope Steel Limited 1 July, 2016

**WWW.LYSAGHT.COM**

**Technical enquiries:**  
**steeldirect@bluescopesteel.com or call 1800 641 417**

LYSAGHT®, WEATHERLINE®, COLORBOND® and ZINCALUME® are registered trademarks of BlueScope Steel Limited, ABN 16 000 011 058. The LYSAGHT® range of products is exclusively made by or for BlueScope Steel Limited trading as Lysaght.



LYT0025 01.0716